

**Rated voltage 42 Vac/80 Vdc**

**Rated current 100 mA**

**Rated inductance 2,2 to 38 mH**



### Construction

- Current-compensated ring core double choke with ferrite core
- Plastic case

### Features

- Vertical or horizontal version
- Case flame-retardant as per UL 94 V-0

### Applications

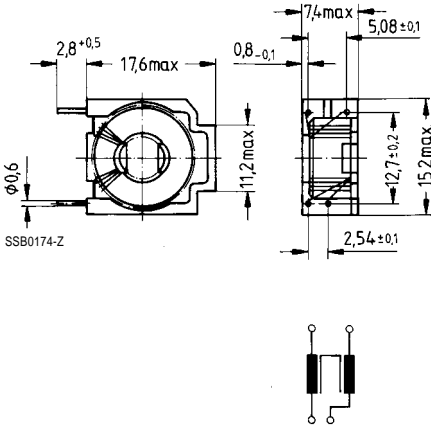
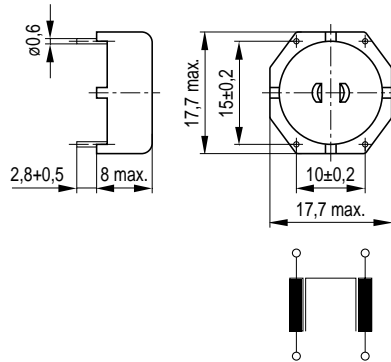
- Suppression of asymmetrical interference coupled in on data lines, already effective at 10 kHz, e.g. in
  - telephone lines (analog, ISDN)
  - interfaces with symmetrical data transmission
  - Building services automation (EIB bus)
  - automation engineering

### Terminals

- Pins fitting standard PCB grid

### Marking

Ordering code, rated inductance, manufacturer, date of manufacture (month, year)

**Dimensional drawing**
**Vertical version**
**B82791-H15**

**Horizontal version**
**B82791-G15**


SSB1553-7

**General technical data**

Rated voltage $V_R$	42 Vac (50/60 Hz) 80 Vdc
Rated current $I_R$	Referred to 50 Hz and 60 °C ambient temperature
Rated inductance $L_R$	Measured with HP 4275A at 10 kHz and 0,1 mA (specified per winding)
Inductance tolerance	± 30 % for H15-A16: - 25/+ 35 %
Inductance decrease $\Delta L/L_0$	< 10 % at dc magnetic bias with $I_R$
Stray inductance $L_S$	Measured at 10 kHz and 5 mA
DC resistance $R_{typ}$	Typical values, measured at 20 °C ambient temperature
Climatic category	40/125/56 (- 40 °C/+ 125 °C/56 days damp heat test) in accordance with IEC 60068-1
Weight	Approx. 4 g

**Characteristics and ordering codes**

$L_R$ mH	$L_{S, \text{typ}}$ $\mu\text{H}$	$I_R$ mA	$R_{\text{typ}}$ $\Omega$	$V_T$ Vdc, 2 s	Ordering code	
					horizontal version	vertical version
2,2	1,0	100	0,4	1200	B82791-G15-A17	—
4,7	1,5	100	0,9	1200	B82791-G15-A16	B82791-H15-A16
10	2,5	100	1,3	1200	—	B82791-H15-A25
38	3,5	100	3,3	750	B82791-G15-A14	—

**Impedance  $|Z|$**   
 versus frequency  $f$ 

B82791-

